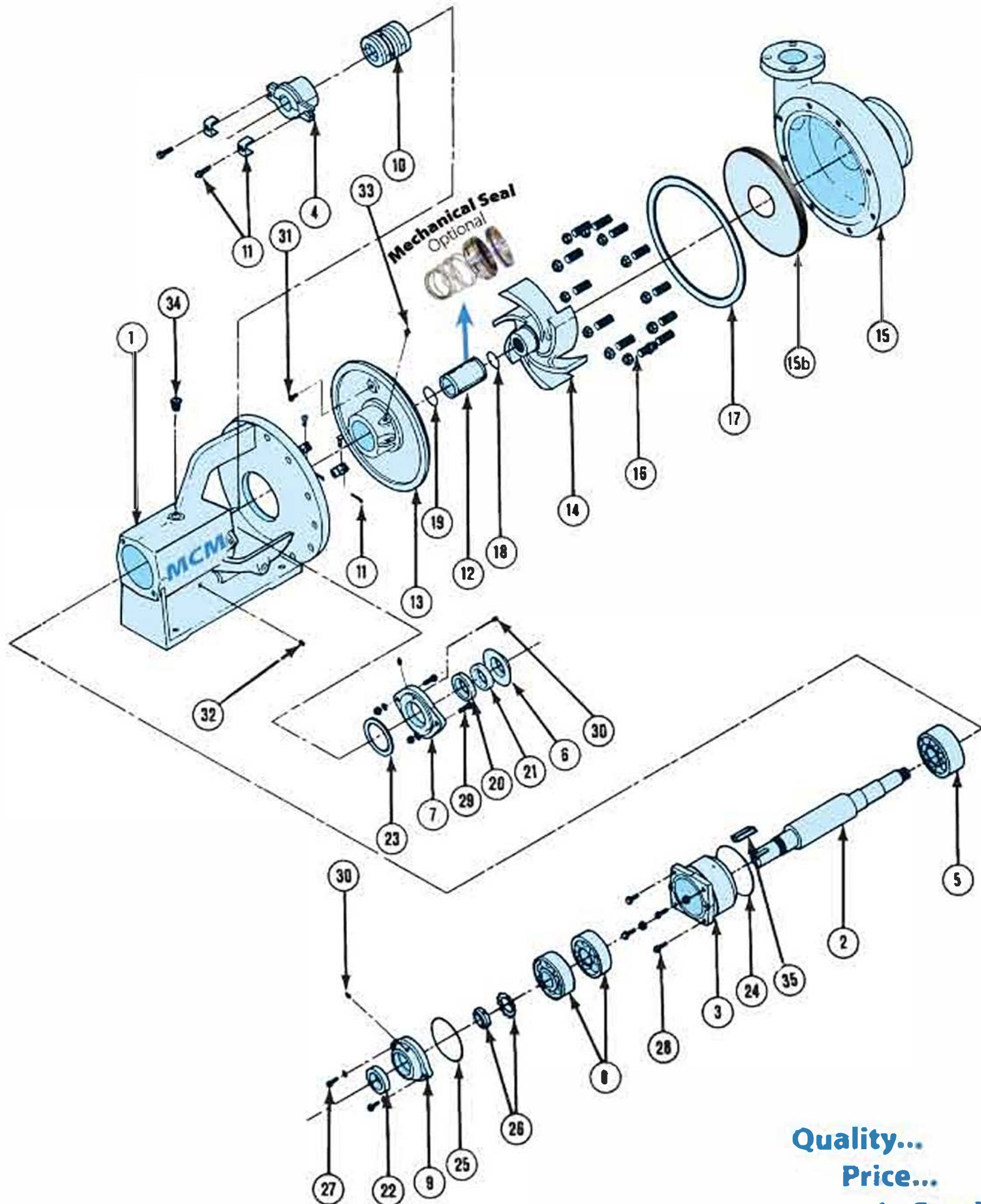


250 SERIES *Parts Diagram*



Quality...
Price...
In Stock!

250 SERIES

250 PUMP SIZES

PUMP SIZE	MODEL NO.	MATERIAL	ROTATION	MAX. IMPELLER
2x3x13	CP25233DRXXX	Ductile Iron	RH	13"
3x4x13	CP25343DRXXX	Ductile Iron	RH	13"
4x5x14	CP25454DRXXX	Ductile Iron	RH	14"
5x6x11	CP25561DRXXX	Ductile Iron	RH	11"
5x6x14	CP25564DRXXX	Ductile Iron	RH	14"
6x8x11	CP25681DRXXX	Ductile Iron	RH	11"
6x8x14	CP25684DRXXX	Ductile Iron	RH	14"

NOTE: Add IMS to above model numbers for pumps with Mechanical Seals.

250 PUMP PARTS LIST

Item No.	Part No.	Description	Qty. Req'd.	Approx. Wt.
1	P25PED	250 Pedestal	1	165.00
2	P25SHFT	250 Shaft	1	38.00
3	P25OBBH	250 Outboard Bearing Housing	1	9.50
4	P25PG	250 Packing Gland	1	2.50
5	P25IBBRG	250 Inboard Bearing	1	8.50
6	P25SRW	250 Slinger Ring - Water	1	.75
7	P25IBBC	250 Inboard Bearing Cover	1	5.50
8	P25OBBRG	250 Outboard Bearing	2	3.50
9	P25OBBC	250 Outboard Bearing Cover	1	3.50
*10	.	250 Mechanical Seal / 250 Packing Assembly	1	1.00
11	P25GABA	250 Gland Bolt Assembly	2	.25
11A	P25CGB	250 Clevis Gland Bolt	2	.50
12	P25SHSLVC	250 Shaft Sleeve, Ceramic Coated	1	2.50
*13	.	250 Stuffing Box	1	42.00
*14	.	250 Impeller	1	.
*15	.	250 Housing	1	.
*15b	P25CWPxxx	250 Replaceable Wear Pad		.
16	P25HSN	250 Housing Stud W/ Nut	12	.50
*17	P25HG	250 Housing Gasket	1	.50
*18	P25IMS	250 Impeller Seal / O-Ring	1	.50
*19	P25SSS	250 Shaft Sleeve Seal / O-Ring	1	.50
*20	P25IBBOS	250 Inboard Bearing Oil Seal	1	.50
*21	P25IBBES	250 Inboard Bearing Exclusion Seal	1	.50
*22	P25OBBOS	250 Outboard Bearing Oil Seal	1	.50
*23	P25IBBCG	250 Inboard Bearing Cover Gasket	1	.50
*24	P25OBBHS	250 Otbd. Bearing Housing Seal / O-Ring	1	.50
*25	P25OBBCS	250 Otbd. Bearing Cover Seal / O-Ring	1	.50
26	P25BLNK	250 Bearing Lock Nut Kit	1	1.00
27	P25OBBCB	250 Outboard Bearing Cover Bolt	2	.10
28	P25BHB	250 Bearing Housing Bolt	4	.15
29	P25IBBCB	250 Inboard Bearing Cover Bolt	2	.15
30	P25BCP	250 Bearing Cover Plugs	2	.05
31	P25SBB	250 Stuff Box Bolt	1	.15
32	P25ODP	250 Oil Orain Plug	1	.05
33	P25ZGF	250 Zert Grease Fitting	1	.05
34	P25ODS	250 Oil Dip Stick	1	.25
35	P25CK	250 Coupling Key	1	20

*See Options On Page 39

250 SERIES

Item No.	Part No.	Description	Approx. Wt.
*10	P25PMSG	250 Graphite Packing Assembly	1.00
	P25PMSK	250 King Packing Assembly	1.00
	P25PMST	250 Teflon Packing Assembly	1.00
	P25MSXX	250 Mechanical Seal	4.00
*13	P25SB/PK	250 Stuffing Box For Packed Pumps	42.00
	P25SB/MS	250 Stuffing Box For Mechanical Seals	42.00
*14	P25D233MRXXX	250 2x3x13 Ductile Iron Right Hand Impeller	21.00
	P25D343MRXXX	250 3x4x13 Ductile Iron Right Hand Impeller	25.00
	P25D454MRXXX	250 4x5x14 Ductile Iron Right Hand Impeller	42.00
**	P25D561MRXXX	250 5x6x11 Ductile Iron Right Hand Impeller	31.00
	P25D564MRXXX	250 5x6x14 Ductile Iron Right Hand Impeller	45.00
	P25D684MRXXX	250 6x8x14 Ductile Iron Right Hand Impeller	47.00
<i>**Note: Use P25D561MRXXX for 250 6x8x11 Pumps</i>			
*15	P25D233H	250 2x3x13 Ductile Iron Right Hand Housing	121.00
	P25D343H	250 3x4x13 Ductile Iron Right Hand Housing	145.00
	P25D454H	250 4x5x14 Ductile Iron Right Hand Housing	183.00
	P25D561H	250 5x6x11 Ductile Iron Right Hand Housing	215.00
	P25D564H	250 5x6x14 Ductile Iron Right Hand Housing	237.00
	P25D681H	250 6x8x11 Ductile Iron Right Hand Housing	250.00
	P25D684H	250 6x8x14 Ductile Iron Right Hand Housing	257.00
*15b	P25CWP343	250 F/ 3 x 4 x 13 Casing Wear Pad	30.00
	P25CWP454	250 F/ 4 x 5 x 14 Casing Wear Pad	30.00
	P25CWP561	250 F/ 5 x 6 x 11 Casing Wear Pad	30.00
	P25CWP564	250 F/ 5 x 6 x 14 Casing Wear Pad	30.00
	P25CWP681	250 F/ 6 x 8 x 11 Casing Wear Pad	30.00
	P25CWP684	250 F/ 6 x 8 x 14 Casing Wear Pad	30.00
	P25CWP8104	250 F/ 8 x 10 x 14 Casing Wear Pad	30.00
*17			
*18	P25FEGK	250 Fluid Gasket Kit	.50
*19			
*20			
*21	P25OSK	250 Oil Seal Kit	.75
*22			
*23			
*24	P25PEGK	250 Power End Gasket Kit	.50
*25			
<i>Note: See Impeller Size Code On Page 8</i>			

250 Centrifugal Pump Features

MCM Heavy Duty Pedestal

MCM prides itself in manufacturing a heavy-duty frame to withstand high piping loads. The frame is manufactured from cast iron for high strength and durability.



MCM Casing

The MCM pump housing has been beefed up in critical wear areas for extra life. The concentric housing eliminates vibration, turbulence and cavitation and reduces bearing load and shaft deflection.



MCM Impeller (Open Vane Design)

MCM Open Vane Impeller Design is engineered to reduce turbulence, eliminate recirculation, lower radial and thrust loads and provide a smooth flow of fluid through the pump.



MCM Impeller (Semi-Open Vane)

MCM also carries semi-open vane impellers in the 5 x 6, 6 x 8 and 8 x 10 sizes.



MCM Wear Pads

The MCM housing comes with replaceable wear pads in sizes from 3 x 4 x 13 inches thru 8 x 10 x 14 inches. This feature reduces the maintenance costs of housing replacement by merely replacing the wear pads.

MCM Shearing Ring

MCM offers a shearing ring option to convert a regular 250 series pump to a shearing pump for mud applications.



MCM Mechanical Seals

MCM takes pride in carrying one of the finest mechanical seals on the market, whether it be tungsten-tungsten, tungsten-silicone or silicone-carbide. They come with a highly polished sealing face and with viton bellows and stainless steel springs.



MCM Pump Bearings

MCM uses nothing but the best and the finest American SKF bearings in its pumps. The outboard bearing assembly consists of a pair of angular contact bearings with high thrust load ratings and zero end play. The heavy duty inboard bearings is a double row ball bearing with high radial load ratings to compensate for the larger size impellers and heavy duty applications.



MCM Labyrinth Seals (Optional)

MCM installs labyrinth seals by customer request in all its pumps to isolate the bearings from harmful contaminants while keeping bearing lubricated.



MCM Shaft

The MCM shaft is manufactured from the highest quality alloy steel. Designed to transmit the maximum torque with minimum shaft deflection.



MCM Shaft Sleeve

The MCM shaft sleeve is manufactured from 416 stainless steel and ceramic coated for extra life. The sleeve is designed to protect the shaft from abrasive fluids.

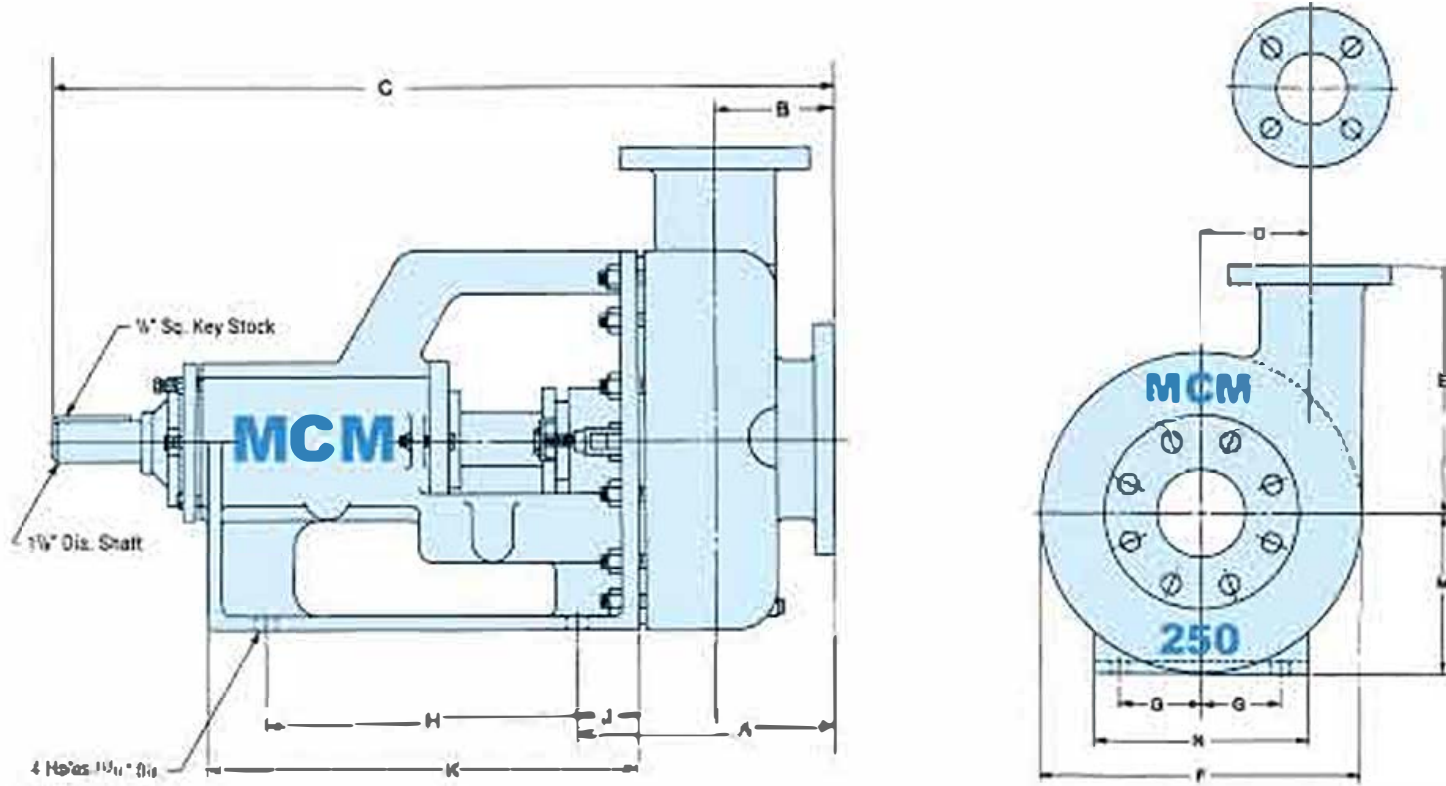
MCM Stuffing Box

MCM Stuffing Box cover is designed to combine the functions of the wear plate and stuffing box of conventional pumps into one piece replaceable unit. The stuffing box cover is available in two styles: for mechanical seals or for regular packing.



250 SERIES

Dimensional Outline



PEDESTAL, HOUSING & INSTALLATION DIMENSIONS																	
SIZE	A	B	C	D	E	F	G	H	J	K	M	N	Max Imp. Diam.	Min Imp. Diam.	Suction Size	Discharge Size	Weight Lbs.
2x3x13	8 ³ / ₄	3 ³ / ₄	33	7	10 ¹ / ₄	17 ⁷ / ₈	3 ¹ / ₂	15 ⁷ / ₁₆	2 ⁵ / ₁₆	19 ⁵ / ₈	9	9	13	6	3	2	430
3x4x13	9 ³ / ₈	4 ¹ / ₄	33 ⁵ / ₈	6 ³ / ₄	10 ¹ / ₄	17 ⁷ / ₈	3 ¹ / ₂	15 ⁷ / ₁₆	2 ⁵ / ₁₆	19 ⁵ / ₈	9	9	13	6	4	3	440
4x5x14	10 ³ / ₄	5	35	6 ¹ / ₈	11	19	3 ¹ / ₂	15 ¹ / ₁₆	2 ⁵ / ₁₆	19 ⁵ / ₈	9	9	14	7	5	4	490
5x6x11	12 ¹ / ₁₆	5 ³ / ₄	36 ³ / ₈	6	11	17 ⁷ / ₈	3 ¹ / ₂	15 ⁷ / ₁₆	2 ⁵ / ₁₆	19 ⁵ / ₈	9	9	11	8	6	5	520
5x6x14	12 ¹ / ₁₆	5 ³ / ₄	36 ³ / ₈	6	11	21	3 ¹ / ₂	15 ⁷ / ₁₆	2 ⁵ / ₁₆	19 ⁵ / ₈	9	9	14	10	6	5	550
6x8x11	13 ¹ / ₄	6 ³ / ₄	37 ¹ / ₂	8 ³ / ₈	14	20	3 ¹ / ₂	15 ⁷ / ₁₆	2 ⁵ / ₁₆	19 ⁵ / ₈	9	9	11	8	8	6	610
6x8x14	13 ¹ / ₄	6 ³ / ₄	37 ¹ / ₂	8 ³ / ₈	14	23	3 ¹ / ₂	15 ¹ / ₁₆	2 ⁵ / ₁₆	19 ⁵ / ₈	9	9	14	10	8	6	630

FLANGE SIZES

FLANGE SIZE	I.D.	O.D.	B.C.	NO. OF HOLES	SIZE OF HOLES	THICKNESS
2	2	6	4 ³ / ₄	4	3/4	5/8
3	3	7 ¹ / ₂	6	4	3/4	3/4
4	4	9	7 ¹ / ₂	8	3/4	15/16
5	5	10	8 ¹ / ₂	8	7/8	15/16
6	6	11	9 ¹ / ₂	8	7/8	1
8	8	13 ¹ / ₂	11 ³ / ₄	8	7/8	1 ¹ / ₈